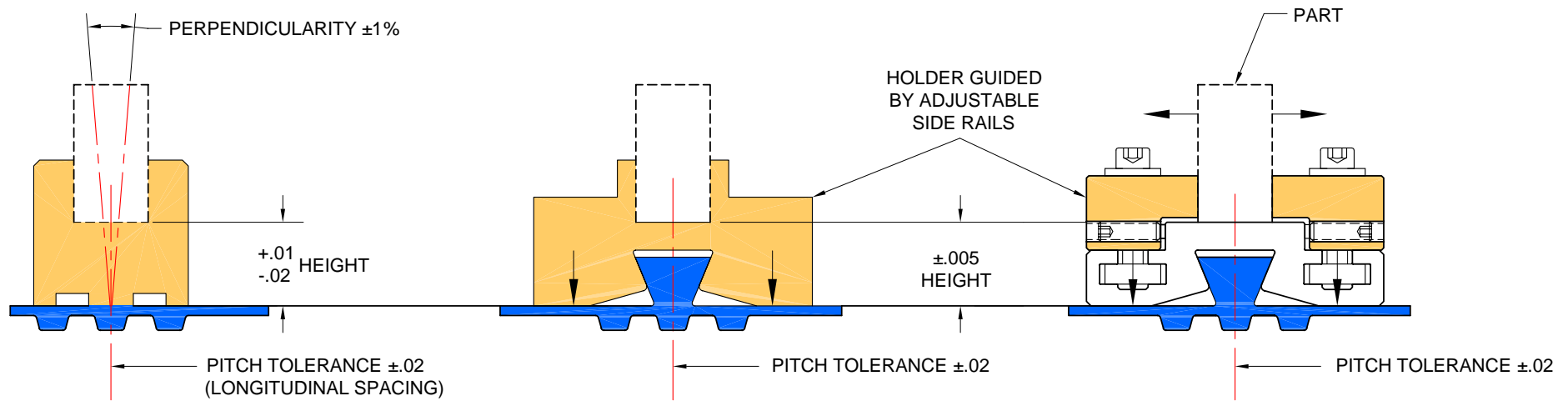


Conveyor Technologies

Ltd. 440 Milford Parkway
 Milford, OH 45150-9104
 Phone: (513) 248-0663
 Fax: (513) 248-0685
 E-mail: mail@ConveyorTechLtd.com

PART HOLDER TYPES

U.S. Patent No.: 6,321,904



TYPE - 1
 CONVENTIONAL
 FIXED URETHANE PROFILE
 HOLDER (WELDED TYPE)

TYPE - 2
 FlexLoc™
 REMOVABLE
 MACHINED
 HOLDER

TYPE - 3
 FlexLoc™
 REMOVABLE MACHINED
 HOLDER / SUB-PLATE

- ELIMINATES PERPENDICULAR ERROR
- GREATLY IMPROVES HEIGHT TOLERANCE

- ELIMINATES PERPENDICULAR ERROR
- GREATLY IMPROVES HEIGHT TOLERANCE
- MINIMIZES PITCH (LONGITUDINAL SPACING) ERROR
- MINIMIZES ANY SKEW INDUCED BY PITCH VARIATION ACROSS BELT WIDTH

- FlexLoc™ IS SUITABLE FOR BOTH TIMING AND FLAT BELTS.
- TYPICAL PART POSITIONING TOLERANCE OF ±.01" IS NOT EFFECTED BY PITCH TOLERANCE WHEN USING C.T.L. INDEX DRIVES.