

Conveyor Technologies

Ltd. 440 Milford Parkway
Milford, OH 45150-9104

FlexLoc™

U.S. Patent No.: 6,321,904

Phone: (513) 248-0663

Fax: (513) 248-0685

E-mail: mail@ConveyorTechLtd.com

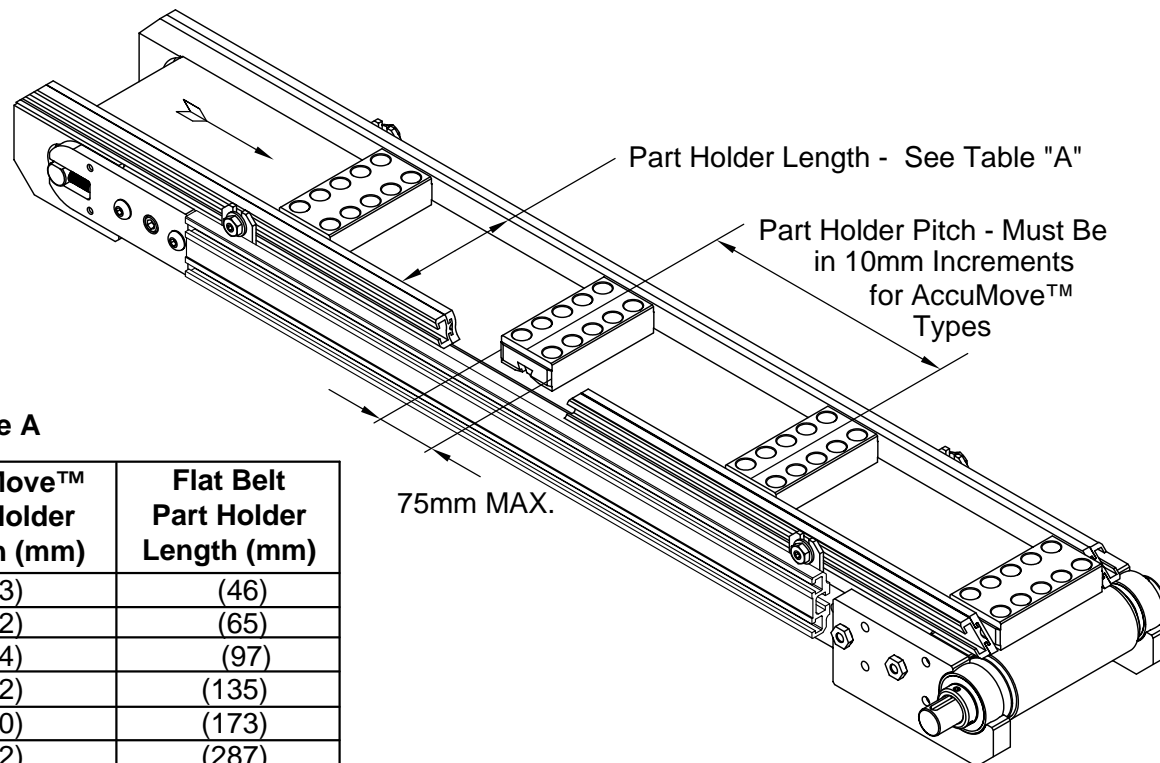


Table A

Order Width	AccuMove™ Part Holder Length (mm)	Flat Belt Part Holder Length (mm)
02	(63)	(46)
03	(82)	(65)
04	(114)	(97)
06	(152)	(135)
07	(190)	(173)
12	(302)	(287)
18	(454)	(440)