

The Spotlight is on

Precision with **AccuMove™**



Conveyor Technologies Ltd.

(513) 248-0663

www.ConveyorTechLtd.com

AccuMove™

Timing Belt Conveyor

U.S. Patent No.: 6,170,645

17 TOOTH LOW PROFILE

Minimum Torque Requirements
Minimum Inertia Values
Lower Height
Greater Accuracy
Lower Cost



25 TOOTH LOW PROFILE

Permits Larger Welded Profiles
Preferred for Side Load / Unload
Suitable for Magnetic Applications
Recommended for Multiple Belts - Higher Speeds



SPECIFICATIONS

- Precision tension calibration.
- Standard belt widths from 50 to 450 mm.
- Compatible with our standard Drives and Accessories.
- Standard lengths 2 - 10 feet. (Special lengths available.)
- All units utilize (1) of (3) different methods of belt self-tracking.
- Sealed for life Bearings eliminate lubricant contamination of product.
- Indexing Drives utilize Stepper, Servo or Brushless D.C. motors, all with position verification.
- Powder Coated single piece 10 GA. steel frame. (Available with dual "T" slots on each side.)
- Solid Urethane Timing belts with steel or Kevlar tension members and Nylon coating for reduced friction and wear.

FUNCTIONS

- Precision Indexing and 4-Axes Positioning
- Synchronous movement of multiple Conveyors
- High cyclic rates
- Reversing
- Heavy Loads
- Side load / Unload
- High speeds (2000'/min.)

APPLICATIONS

- Assembly
- Vision Inspection
- Laser Imprinting
- Pharmaceutical
- Packaging
- Machine Integration

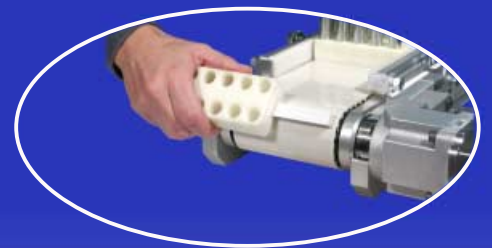
Available in Standard, Welded Profile, Removable Holder, Magnetic, Vacuum, and Wash-Down on Special Order, in English or Metric versions.

FlexLoc™

Convertible Holder System U.S. Patent No.: 6,321,904

PART POSITIONING ACCURACY

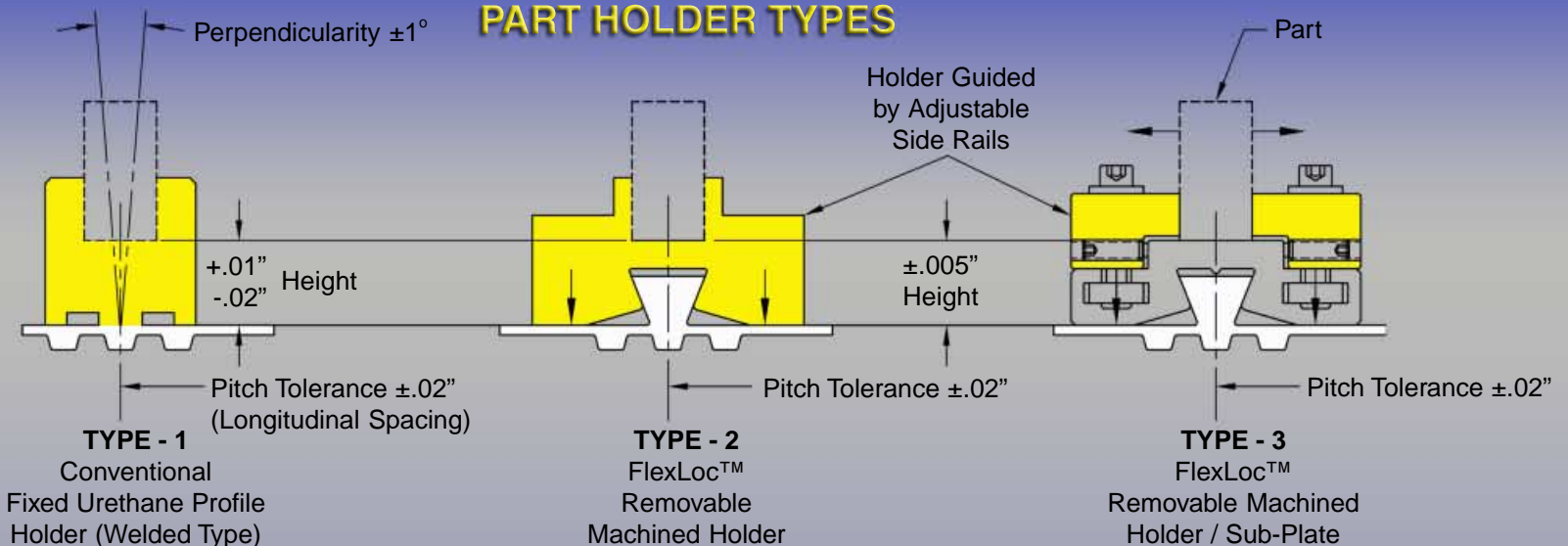
Various factors effect (4) axes part positioning accuracy. Lateral belt positioning, belt tooth clearance, drive system, welded profile position, and the holder itself can all influence accuracy. FlexLoc™ addresses all these for a typical part positioning accuracy of $\pm 0.01"$. Contact factory for accuracy values for your specific application.



GUIDED PART HOLDERS

- Utilizes standard belting which retains full load rating.
- Sub-Plate permits attachment of user supplied Part Holders.
- Holders and Sub-Plates can be rapidly removed without tools.
- FlexLoc™ reduces joint stress, and permits low inertia pulleys.
- Part Holders feature a preloaded mounting with a Guided Travel.
- Accuracy, Versatility and Durability are greatly improved with FlexLoc™.

PART HOLDER TYPES

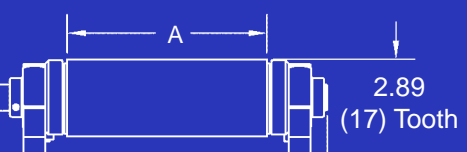
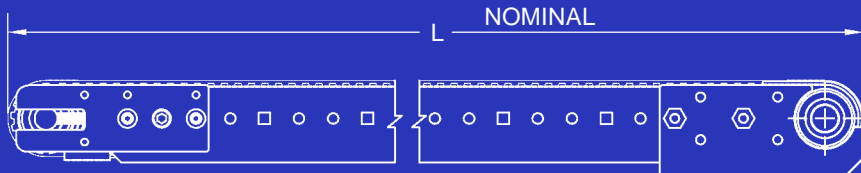


- Eliminates Perpendicular Error
- Greatly improves height tolerance

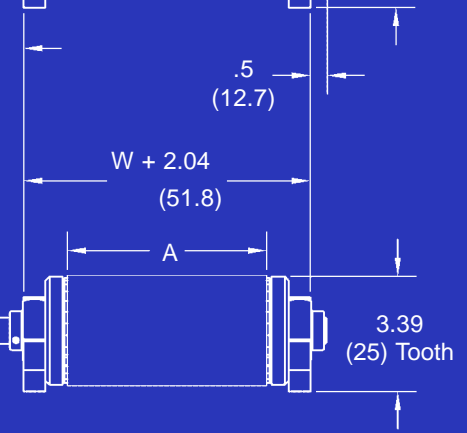
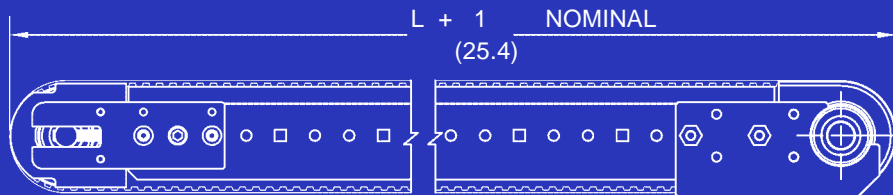
- Eliminates Perpendicular Error
- Greatly improves height tolerance
- Minimizes pitch (longitudinal spacing) error
- Minimizes any Skew induced by pitch variation across belt width

- FlexLoc™ is suitable for both timing and flat belts
- Typical Part Positioning Tolerance of $\pm 0.01"$ is not effected by Pitch Tolerance when using C.T.L. Index Drives.

AccuMove™ 17 Tooth



AccuMove™ 25 Tooth



Order Width	Belt Width (A) Inches (mm)	W
02	1.97 (50)	2.5
03	2.95 (75)	3.25
04	3.94 (100)	4.5
06	5.91 (150)	6.0
07	7.40 (188)	7.5
12	11.81 (300)	12.0
18	17.72 (450)	18.0

Nominal Conveyor Length (L)	
Inches	(mm)
24"	(610)
36"	(914)
48"	(1219)
60"	(1524)
72"	(1829)
120"	(3048)

1. Drawings do not show optional dual "T" slot rails.
2. If Part Holders are supplied overall length increases.
3. Optional lengths available.

U.S. Patent No.: 6,170,645

FlexLoc™

U.S. Patent No.: 6,321,904

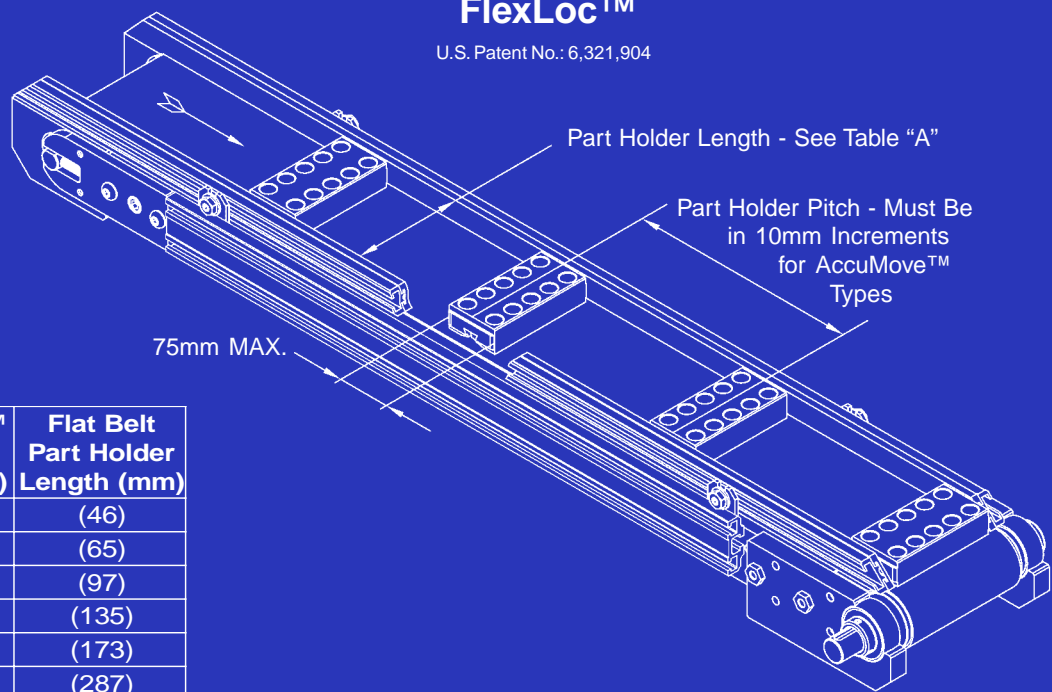


Table A

Order Width	AccuMove™ Part Holder Length (mm)	Flat Belt Part Holder Length (mm)
02	(63)	(46)
03	(82)	(65)
04	(114)	(97)
06	(152)	(135)
07	(190)	(173)
12	(302)	(287)
18	(454)	(440)